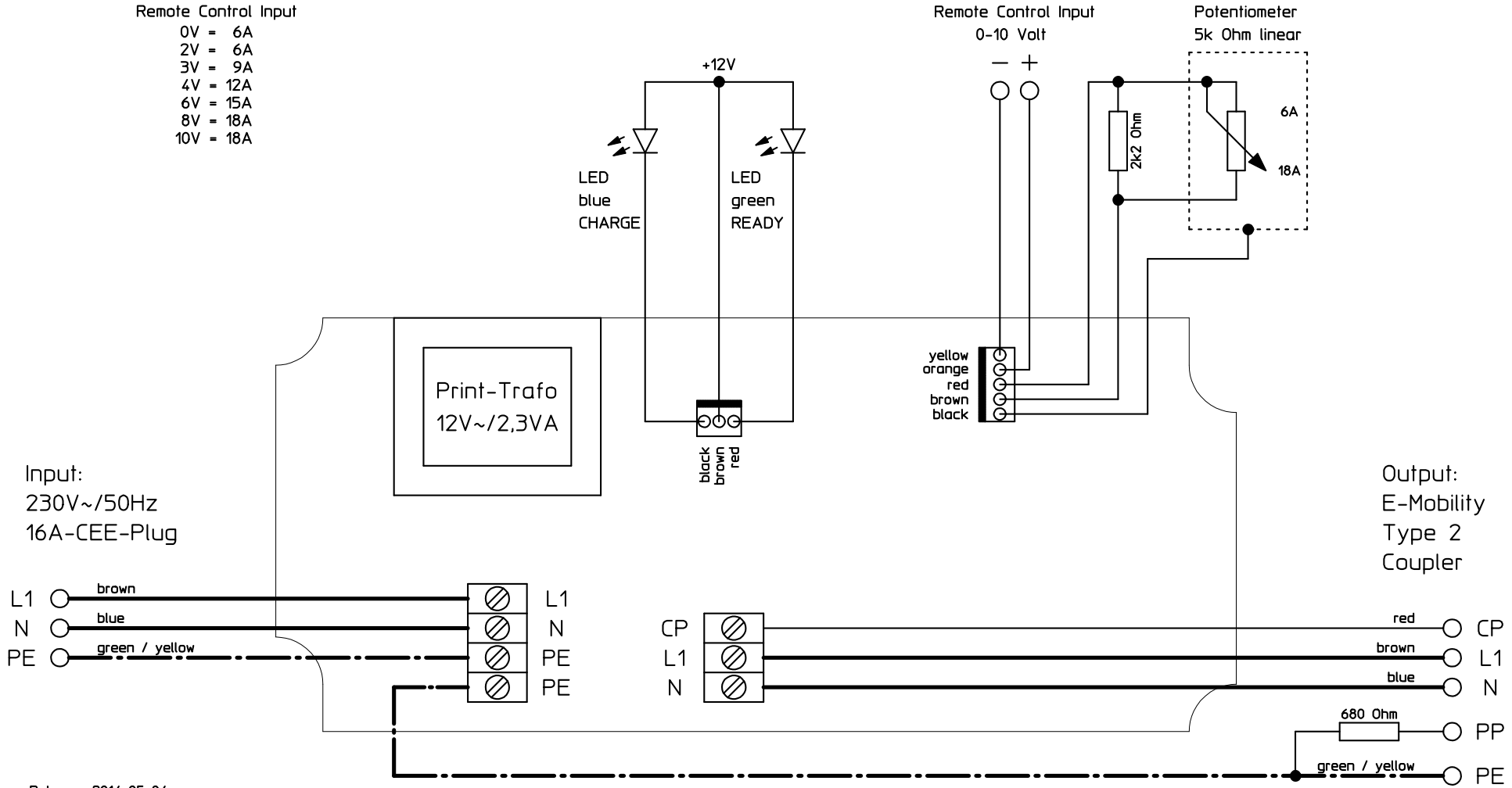


# 16A ICC-Box (One Phase)

Reference Table  
Remote Control Input

0V	=	6A
2V	=	6A
3V	=	9A
4V	=	12A
6V	=	15A
8V	=	18A
10V	=	18A



Release: 2014-05-04

Notice: Resistor already in Coupler